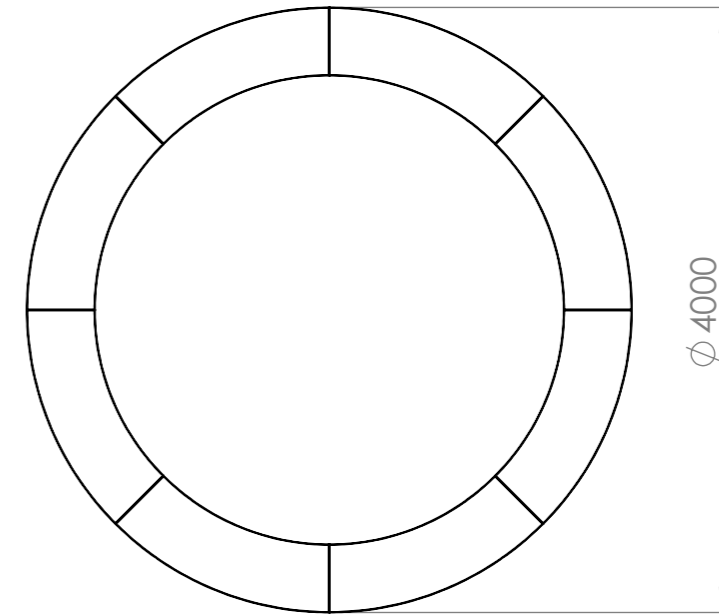
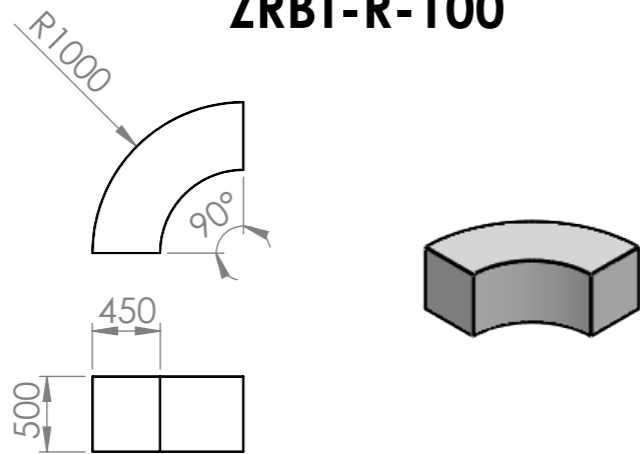
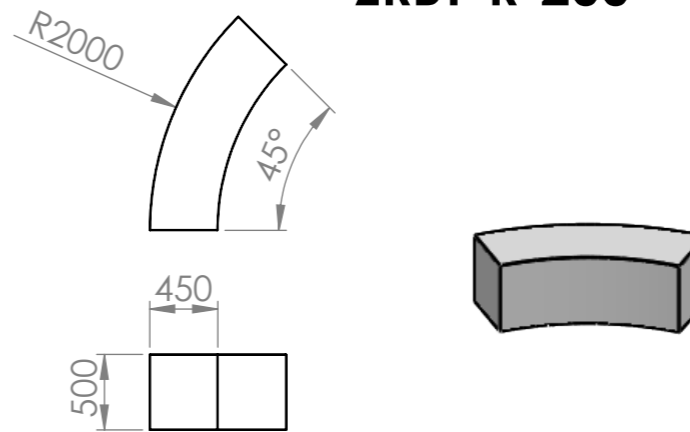


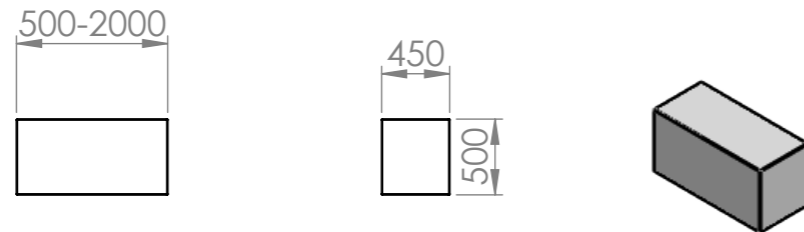
ZRBT-R-100



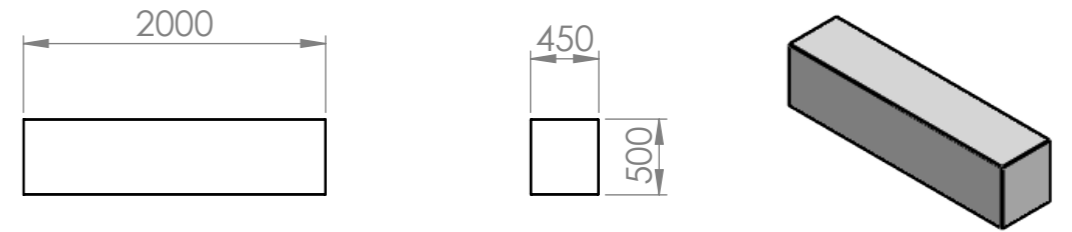
ZRBT-R-200



ZRRT-VAR




ZRRT-200



Copyright GroundLevel straatmeubilair

Alle hoeken afgerond R3

UNLESS OTHERWISE SPECIFIED: DIMENSIONS ARE IN MILLIMETERS		FINISH:		DEBURR AND BREAK SHARP EDGES		DO NOT SCALE DRAWING		REVISION	
SURFACE FINISH:								Overzicht EDY Zitranden	
TOLERANCES: LINEAR: ANGULAR:									
DRAWN	Nigel	SIGNATURE		DATE	30-12-2019	TITLE:			
CHK'D						DWG NO.		A3	
APPV'D						MATERIAL:			
MFG						Zelfverdichtend beton klasse C45/55			
Q.A						WEIGHT:		SCALE:1:50	
						SHEET 1 OF 1			